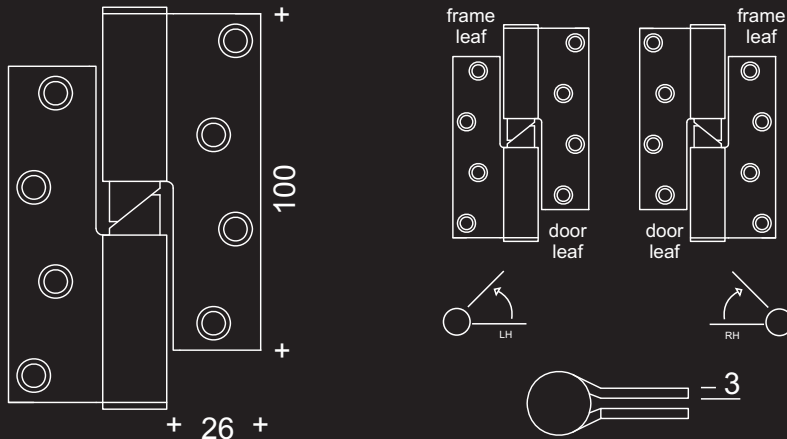


Rising hinge

Product Code



1521 Left Hand

1522 Right Hand

These Hinges Cause the door to close. door will rise 10mm over 180 Degrees.

100x77x3mm rising butt hinge

To ensure correct working, pairs of rising butts must be fitted co-axially with screws supplied

Maximum adjusted door weight 60kg

Minimum door thickness 29mm



Finishes : SS, PS