

The 20 Range flush pull pictured opposite has been developed to allow flush opening doors to have a thumb turn operated lock fixed.

Full drawing details on request

100mm dia Flush Pull complete with thumb turn powder coated white.



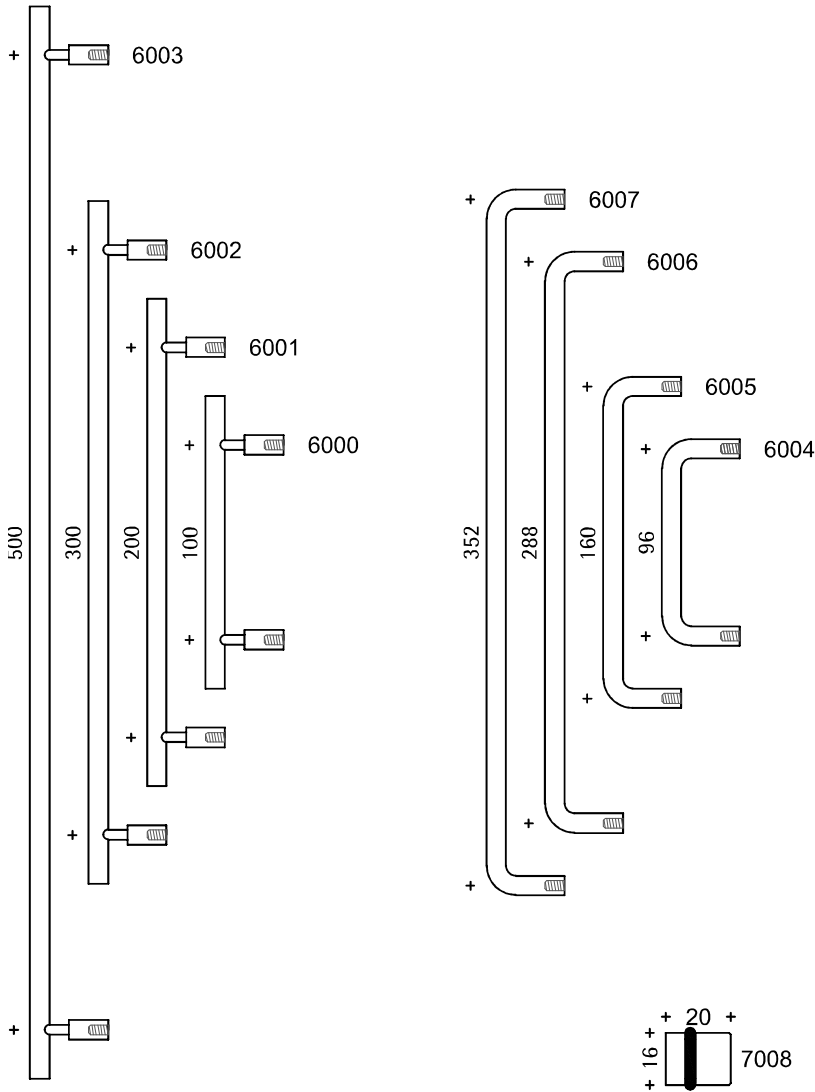
100mm dia Flush Pull complete with thumb turn polished stainless steel



for use on metal doors



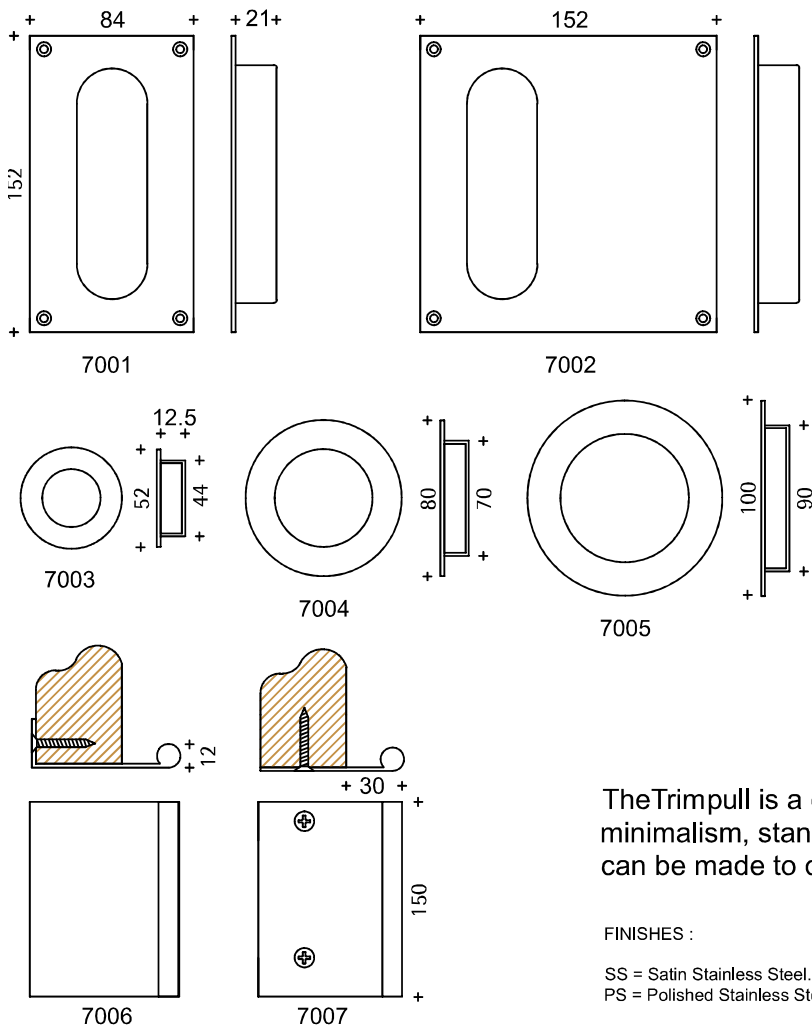
see page 2 for details



10mm dia cabinet pulls are manufactured from solid stainless steel, drilled to suit M5 bolt through fixings.



16mm dia cupboard pull with black o'ring grip



Flush pulls are manufactured from solid stainless steel. Adaptions can be accomodated for example, we have produced a version of the 7004 circular flush pull to suit a metal door with concealed fixing.



The Trimpull is a door edge pull for cupboards, for when the accent is on minimalism, standard sizes are as detailed but other sizes and adaptions can be made to order to suit door detail.

FINISHES :

SS = Satin Stainless Steel.  
PS = Polished Stainless Steel.