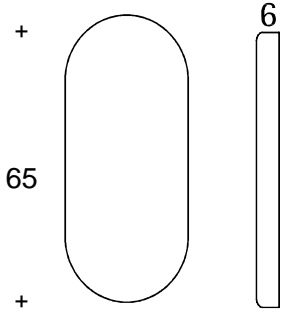


The 20 range architectural hardware is manufactured in our own factory located in Hoddesdon Hertfordshire and unlike other hardware factors we are unique in offering a product in which we are able to control the quality and finish to a consistently high standard throughout the range.

20.3009.SS

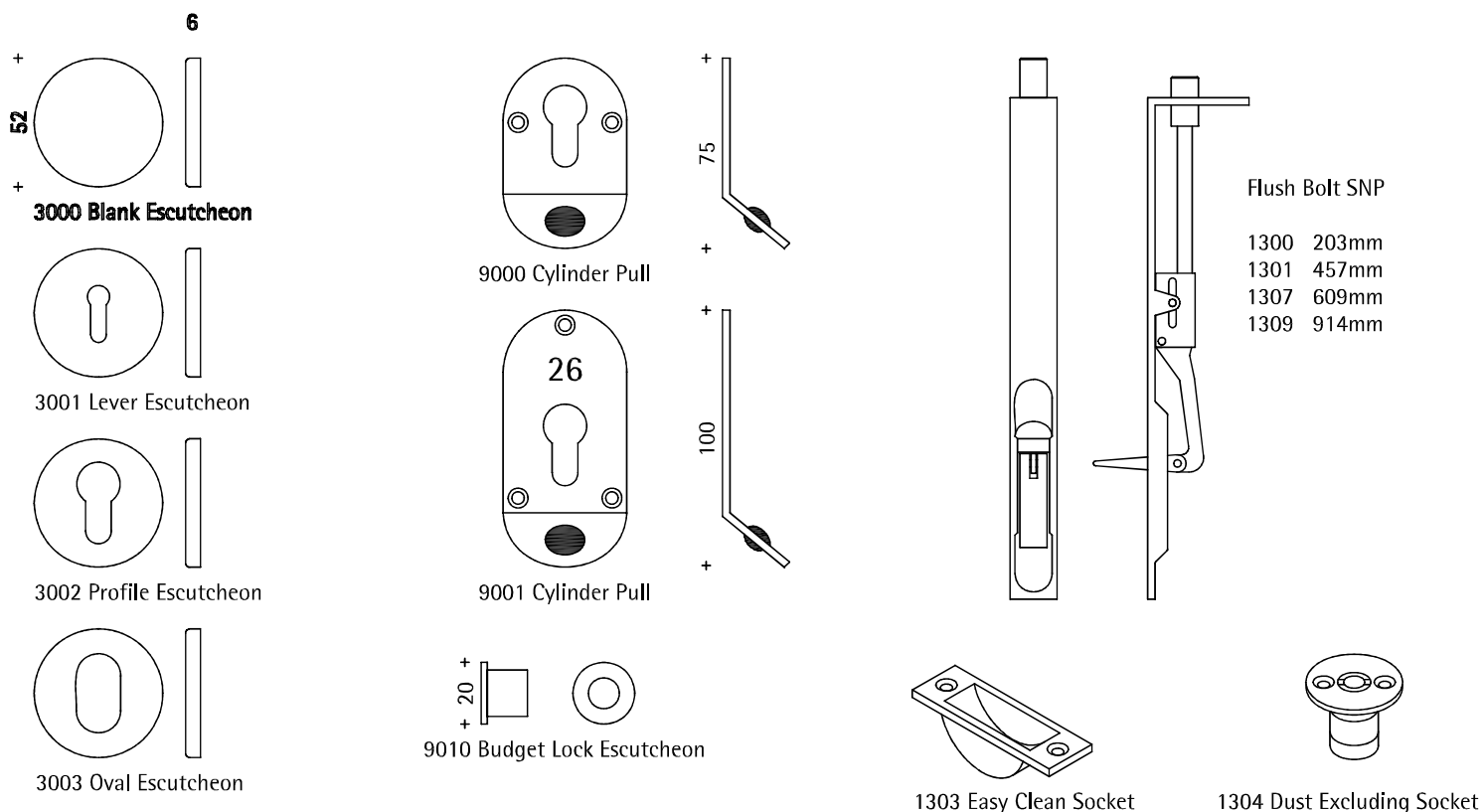


Awaiting Punching/Engraving

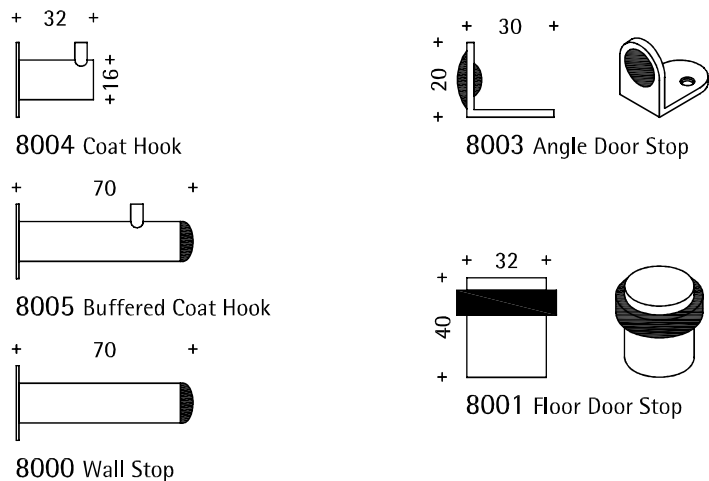
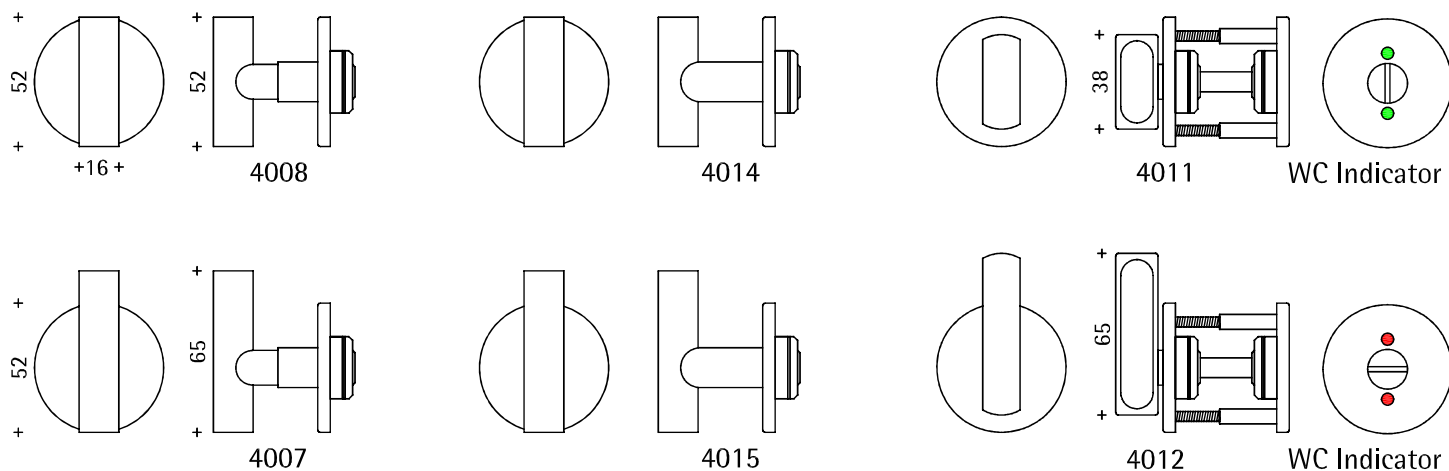


Can Be Enraved

see page 2 for details



WC Indicator and turn for cubicle and bathroom doors. We produce six alternative designs of snib turn with the WC Indicator emergency release. All have concealed fixing roses and are specified as a set. Supplied with 8mm spindles and back to back fixings.
 N.B. We also produce a plain emergency release for use on residential projects.



FINISHES :

- SS = Satin Stainless Steel.
- PS = Polished Stainless Steel.
- PB = Polished Brass.
- SA = Satin Anodised Aluminium.

Specification Example : Code/Finish = 4014.SS